

# OMNETICS

## CONNECTOR CORPORATION

### SureCon 360° IP67

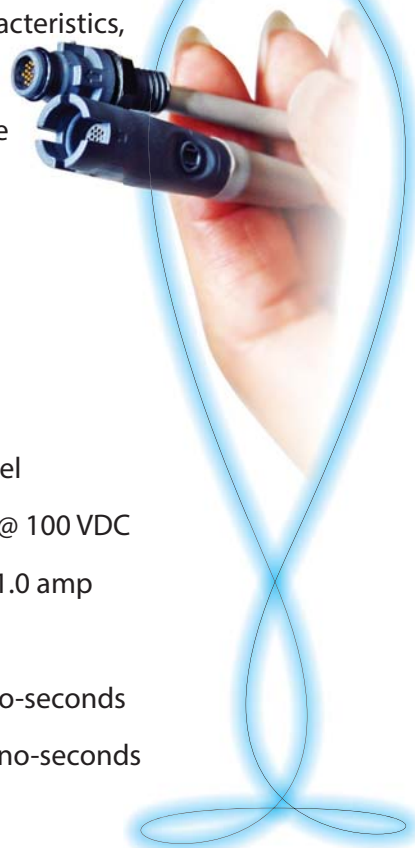
The NANO 360° series has released another family of products, this time in a water tight, overmolded form. This product, like all of the circulars utilize Omnetics' rugged and reliable Flex-Pin contact system. Spaced on .025" (.64 mm) centerlines, the SureCon 360° line is part of the smallest high reliability circular family of connector available today. Extremely small outer diameters range from .325" (8.3 mm) to .384" (9.8 mm).

With the ability to withstand high shock and vibration while maintaining their electrical integrity, these connectors are ideal for the most demanding applications. Insulator sizes of 6, 11 and 16 contact arrangements are available in a pre-cabled format. All three sizes are available in both inline and protruding panel mount configurations.

Three similar versions will be available, all sharing the above characteristics, with one exception. Each SureCon 360° version will use a market specific cable and plastic overmold with characteristics known to be vital for usage within that particular field. Omnetics will release one for Standard usage, one for Medical usage, and another intended for the Mil/Aero market.

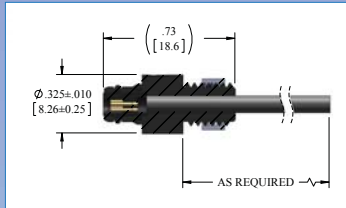
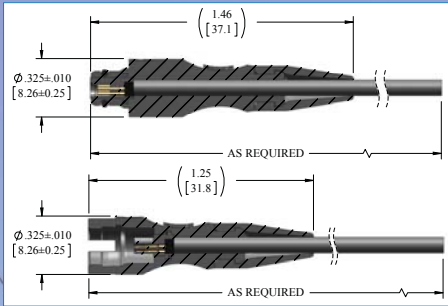
### Electrical Specs

Current:	1 amp per contact
Dielectric Withstanding Voltage (DWV):	250 Volt AC @ Sea Level
Insulation Resistance:	5,000 Megohms min. @ 100 VDC
Contact Resistance:	25 milliohms (25 mv) max @ 1.0 amp
Temperature:	-55°C to 85°C
Vibration:	20 G's, no discontinuity greater than 10 nano-seconds
Shock:	100 G's, no discontinuity greater than 10 nano-seconds



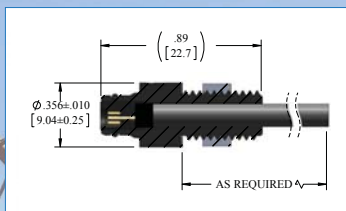
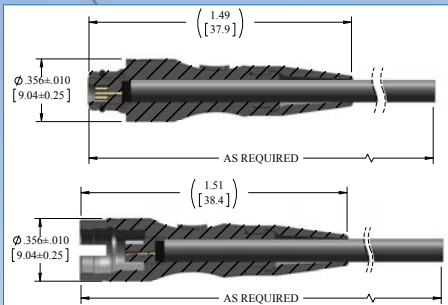
IP67

# SureCon 360° IP67



Pin

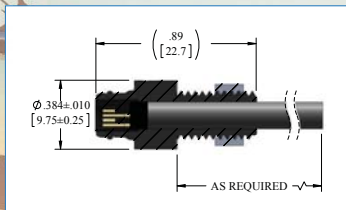
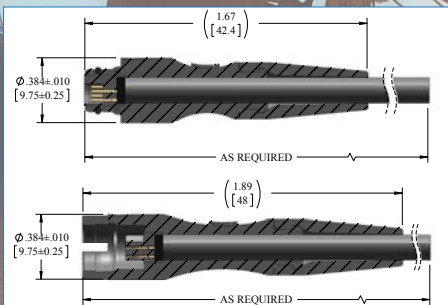
• The Standard version features a 32 AWG cable, with a Gray Jacket material of TPE or TPU depending on pin count, and a disconnect force of 5 - 7 pounds.



Socket

• The Medical version features a Bio-compatible (per ISO10993) 32 AWG cable, with a Light Gray TPU Jacket, and a disconnect force of 3 - 6 pounds.

\* Omnetics Medical version of the SureCon connector passes IP67, after more than 25 Autoclave cycles.



Panel Socket

• The Mil/Aero version, features a Flame Retardant, Halogen Free, 32 AWG cable with a braided shield, by a Black TPU Jacket, and a disconnect force of 5 - 7 pounds.

Position	Style	STANDARD	MEDICAL	MILITARY
6	Pin	A79300-001	A79344-001	A79353-001
	Socket	A79301-001	A79345-001	A79354-001
	Panel Socket	A79302-001	A79346-001	A79355-001
11	Pin	A79303-001	A79347-001	A79356-001
	Socket	A79304-001	A79348-001	A79357-001
	Panel Socket	A79305-001	A79349-001	A79358-001
16	Pin	A79306-001	A79350-001	A79359-001
	Socket	A79307-001	A79351-001	A79360-001
	Panel Socket	A79308-001	A79352-001	A79361-001